

PRODUCT NO. 92789-XXXX	STAND OFF DIM "M"(mm)	HDR SOLDER TAIL	HOLD DOWN	GUIDE ASSY 92791-XXXX	HDR ASSY 92140-XXXX	DIM "P" (mm)	HDR COLOR	SHEET NO.	MOUNT STYLE TO PCB
000	0	R/A	NONE	001	000	2.8	BLACK	NO.2	TOP MOUNT 92789-0XXX 
000H	0	R/A	YES	001H	000H	2.8	BLACK		
001	0	SMT STAGGERED	NONE	001	001	—#—	BLACK		
001H	0	SMT STAGGERED	YES	001H	001H	—#—	BLACK		
002	0	SMT IN LINE	NONE	001	002	—#—	BLACK		
002H	0	SMT IN LINE	YES	001H	002H	—#—	BLACK		
020	2 (NO LOCATOR)	R/A	NONE	021	040	2.5	BLACK	NO.3	BOTTOM MOUNT 92789-5XXX 
040	4	R/A	NONE	041	010	2.8	BLACK		
040H	4	R/A	YES	041H	010H	2.8	BLACK		
050	5	R/A	NONE	051	020	2.8	BLACK		
050H	5	R/A	YES	051H	020H	2.8	BLACK		
500	0	R/A	NONE	001	500	2.8	NATURAL		
500H	0	R/A	YES	001H	500H	2.8	NATURAL		
501	0	SMT STAGGERED	NONE	001	501	—#—	NATURAL		
501H	0	SMT STAGGERED	YES	001H	501H	—#—	NATURAL		
502	0	SMT IN LINE	NONE	001	502	—#—	NATURAL		
502H	0	SMT IN LINE	YES	001H	502H	—#—	NATURAL		
520	2 (NO LOCATOR)	R/A	NONE	021	540	2.5	NATURAL		
540	4	R/A	NONE	041	510	2.8	NATURAL		
550	5	R/A	NONE	051	520	2.8	NATURAL		
550H	5	R/A	YES	051	520H	2.8	NATURAL		

NOTE
 ① OPTIONAL HOLD DOWN (-XXXH) CAN BE SELECTED FOR ONLY 0mm STAND OFF (-X0XH) VARIATION.
 ② SMT STAGGERED & IN LINE (-XX1X & -XX2X) ARE ASSIGNED TO ONLY 0mm STAND OFF (-X0XX) VARIATION.

3. ASSY PROCESS
 3.1 TO MOUNT PART ② ON PWB WITH SCREW (S1,S2) AND SOLDER.
 3.2 TO JOINT PART ②, INTO PART ②, THEN FIX PART ② WITH 2 SCREWS (S3,S4).

④ MATERIAL
 4.1 PART ②,(HEADER ASSY)
 HOUSING : LCP UL94V-0
 PIN : PHOSPHOR BRONZE
 HOLD DOWN : BRASS

4.2 PART ②,(GUIDE ASSY)
 GUIDE : POLYPHTHARAMID UL94V-0
 PLATE : STAINLESS
 EMI CONTACT : PHOSPHOR BRONZE
 HOLD DOWN : BRASS

⑤ FINISH
 HDR PIN : *0.5μm MIN. Ni OVER ALL UNDER PLATING
 *0.1μm MIN. Au OVER 0.5μm MIN. Pd-Ni CONTACT AREA
 *2.5μm MIN. Sn-Pb SOLDER TAIL
 OR 2.5μm MIN. Sn (FOR -XXXXLF) SOLDER TAIL

EMI CONTACT : PRE-PLATING
 *0.5μm MIN. Ni OVER ALL UNDER PLATING
 *0.5μm MIN. Au CONTACT AREA.
 HOLD DOWN : 2.5μm MIN. Sn OVER ALL.

6. DIM"L"

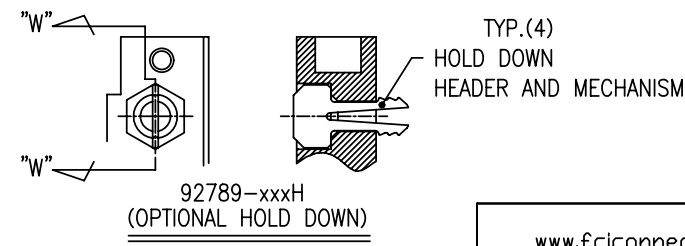
4.25±0.1	3.5±0.1	5.0±0.1
OTHERS	36.67	117.34 36.51±0.08

7. GENERAL TOLERANCE : ±0.3
 8. SEE SHEET 1,2. REGARDING COMPONENTS.
 9. THIS PRODUCT MEETS EUROPEAN UNION DIRECTIVES AND OTHER COUNTRY REGULATIONS AS DESCRIBED IN GS-22-008.



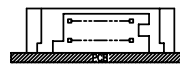
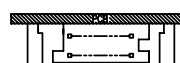
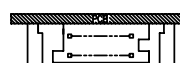
Copyright FCI.

1 92789-XXXXXX
 NOTE ④
 OPTIONAL LEAD FREE
 NONE : N 0
 LF : YES
 NOTE ①
 OPTIONAL HOLD DOWN
 NONE : N 0
 H : YES(SEE FIGURE OF -XXXH)
 NOTE ②
 HDR SOLDER TAIL
 0 : R/A
 1 : SMT STAGGERED
 2 : SMT IN LINE
 STAND OFF HEIGHT (DIM"M")
 0 : 0mm(NONE)
 2 : 2mm
 4 : 4mm
 5 : 5mm
 MOUNT STYLE TO PCB
 0 : TOP MOUNT
 5 : BOTTOM MOUNT



rev	ecn no	dr	date
F	V81446	S.K	11/13/'98
G	J03-0307	M.H	7/16/'03
H	J05-0198	M.H	4/7/'05
J	J05-0215	M.H	4/11/'05
K	N05-0128	W.B J	05/19/05
L	N07-0114	CM	05/14/07

www.fciconnect.com		surface	tolerance std	projection	MM
		TOLERANCES UNLESS OTHERWISE SPECIFIED			←→
Dr	M. Haragawa 4/11/05	ANGULAR	0.X ±	size	Scale
Eng	M. Haragawa 4/11/05	LINEAR	0.XX±	ECN	
Chr		0°±	0.XX#	Spec ref	
Appr		Product family Header PCMCIA SANF			
title		68P LONG HEADER TYPE I / II / III (WITH EMI CLIP)		no	Rev.
catalog no		CUSTOMER DRAWING		92789	L
				sheet 1 of 6	

PRODUCT NO. 92789-XXXX	STAND OFF DIM "M"(mm)	HDR SOLDER TAIL	HOLD DOWN	GUIDE ASSY 92791-XXXX	HDR ASSY 92140-XXXX	DIM "P" (mm)	HDR COLOR	SHEET NO.	MOUNT STYLE TO PCB
000LF	0	R/A	NONE	001LF	000	2.8	BLACK	NO.2	TOP MOUNT 92789-0XXX 
000HLF	0	R/A	YES	001HLF	000H	2.8	BLACK		
001	0	SMT STAGGERED	NONE	001	001	—#—	BLACK		
001H	0	SMT STAGGERED	YES	001H	001H	—#—	BLACK		
002	0	SMT IN LINE	NONE	001	002	—#—	BLACK		
002H	0	SMT IN LINE	YES	001H	002H	—#—	BLACK		
020LF	2 (NO LOCATOR)	R/A	NONE	021LF	040	2.5	BLACK	NO.3	BOTTOM MOUNT 92789-5XXX 
040LF	4	R/A	NONE	041LF	010	2.8	BLACK		
040HLF	4	R/A	YES	041HLF	010H	2.8	BLACK		
050LF	5	R/A	NONE	051LF	020	2.8	BLACK		
050HLF	5	R/A	YES	051HLF	020H	2.8	BLACK		
500LF	0	R/A	NONE	001LF	500	2.8	NATURAL		
500HLF	0	R/A	YES	001HLF	500H	2.8	NATURAL		
501	0	SMT STAGGERED	NONE	001	501	—#—	NATURAL		
501H	0	SMT STAGGERED	YES	001H	501H	—#—	NATURAL		
502	0	SMT IN LINE	NONE	001	502	—#—	NATURAL		
502H	0	SMT IN LINE	YES	001H	502H	—#—	NATURAL		
520LF	2 (NO LOCATOR)	R/A	NONE	021LF	540LF	2.5	NATURAL	NO.5	BOTTOM MOUNT 92789-5XXX 
540LF	4	R/A	NONE	041LF	510LF	2.8	NATURAL		
550LF	5	R/A	NONE	051LF	520LF	2.8	NATURAL		
550HLF	5	R/A	YES	051LF	520HLF	2.8	NATURAL		
540HLF	4	R/A	NONE	041HLF	510HLF	2.8	NATURAL		

NOTE

① OPTIONAL HOLD DOWN (-XXXH) CAN BE SELECTED FOR ONLY 0mm STAND OFF (-XXXH) VARIATION.

② SMT STAGGERED & IN LINE (-XX1X & -XX2X) ARE ASSIGNED TO ONLY 0mm STAND OFF (-XXX) VARIATION.

3. ASSY PROCESS

3.1 TO MOUNT PART ④ ON PWB WITH SCREW (S1,S2) AND SOLDER.

3.2 TO JOINT PART ③ INTO PART ④, THEN FIX PART ③ WITH 2 SCREWS (S3,S4).

④ MATERIAL

4.1 PART ④ (HEADER ASSY)
HOUSING : LCP UL94V-0
PIN : PHOSPHOR BRONZE
HOLD DOWN : BRASS

4.2 PART ③ (GUIDE ASSY)
GUIDE : POLYPHTHARAMID UL94V-0
PLATE : STAINLESS
EMI CONTACT : PHOSPHOR BRONZE
HOLD DOWN : BRASS

⑤ FINISH

HDR PIN : *0.5μm MIN. Ni OVER ALL UNDER PLATING
*0.1μm MIN. Au OVER 0.5μm MIN. Pd-Ni CONTACT AREA
*2.5μm MIN. Sn-Pb SOLDER TAIL OR 2.5μm MIN. Sn (FOR -XXXXLF) SOLDER TAIL

EMI CONTACT : PRE-PLATING
*0.5μm MIN. Ni OVER ALL UNDER PLATING
*0.5μm MIN. Au CONTACT AREA.

HOLD DOWN : 2.5μm MIN. Sn OVER ALL.

6. DIM"L"

4.25±0.1	3.5±0.1	5.0±0.1
OTHERS	36.67	1.17 35.51

7. GENERAL TOLERANCE : ±0.3

8. SEE SHEET 1,2. REGARDING COMPONENTS.

9. THIS PRODUCT MEETS EUROPEAN UNION DIRECTIVES AND OTHER COUNTRY REGULATIONS AS DESCRIBED IN GS-22-008.



Copyright FCI.

1 92789-X X X X XX

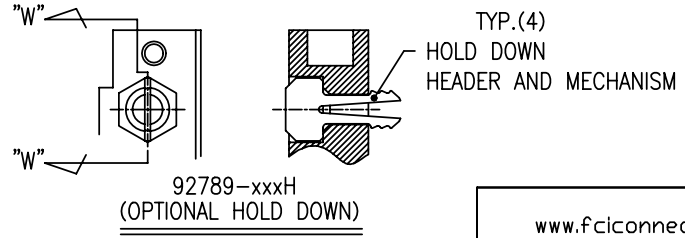
NOTE ①
OPTIONAL LEAD FREE
LF : YES

NOTE ②
OPTIONAL HOLD DOWN
NONE : N O
H : YES(SEE FIGURE OF -XXXH)

NOTE ③
HDR SOLDER TAIL
0: R/A
1: SMT STAGGERED
2: SMT IN LINE

STAND OFF HEIGHT (DIM"M")
0: 0mm(NONE)
2: 2mm
4: 4mm
5: 5mm

MOUNT STYLE TO PCB
0: TOP MOUNT
5: BOTTOM MOUNT



rev	ecn no	dr	date
F	V81446	S.K	11/13/98
G	J03-0307	M.H	7/16/03
H	J05-0198	M.H	4/7/05
J	J05-0215	M.H	4/11/05
K	N05-0128	W.B J	05/19/05
L	N07-0114	CM	05/14/07

www.fciconnect.com		surface	tolerance std	projection	MM
		ANGULAR	0.X ±	size	Scale
		LINEAR	0.XX ±	ECN	
		0* ±	0.XX#	Spec ref	
		Product family Header PCMCIA SANF			
title		68P LONG HEADER TYPE I / II / III (WITH EMI CLIP)		Rev. L	
catalog no		CUSTOMER DRAWING		sheet 2 of 6	

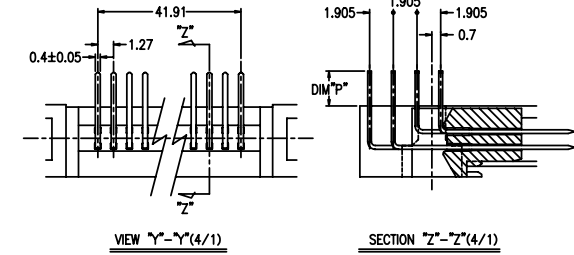
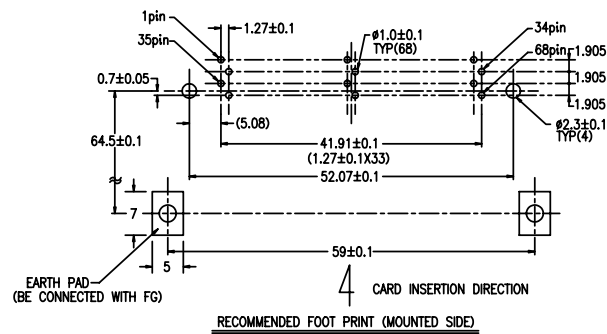
1

2

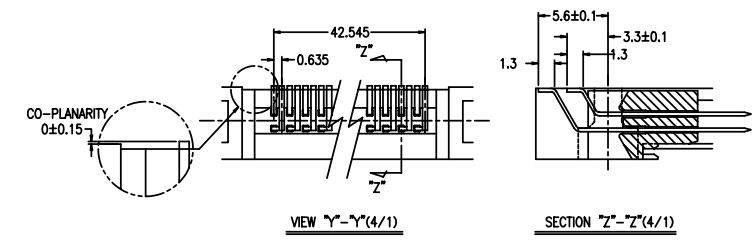
3

4

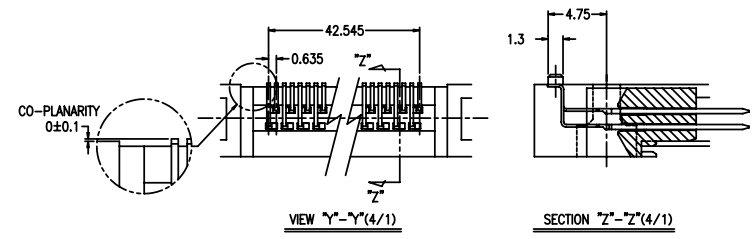
PRODUCT NO.
92789-000/000LF
92789-000H/000HLF
92789-001
92789-001H
92789-002
92789-002H



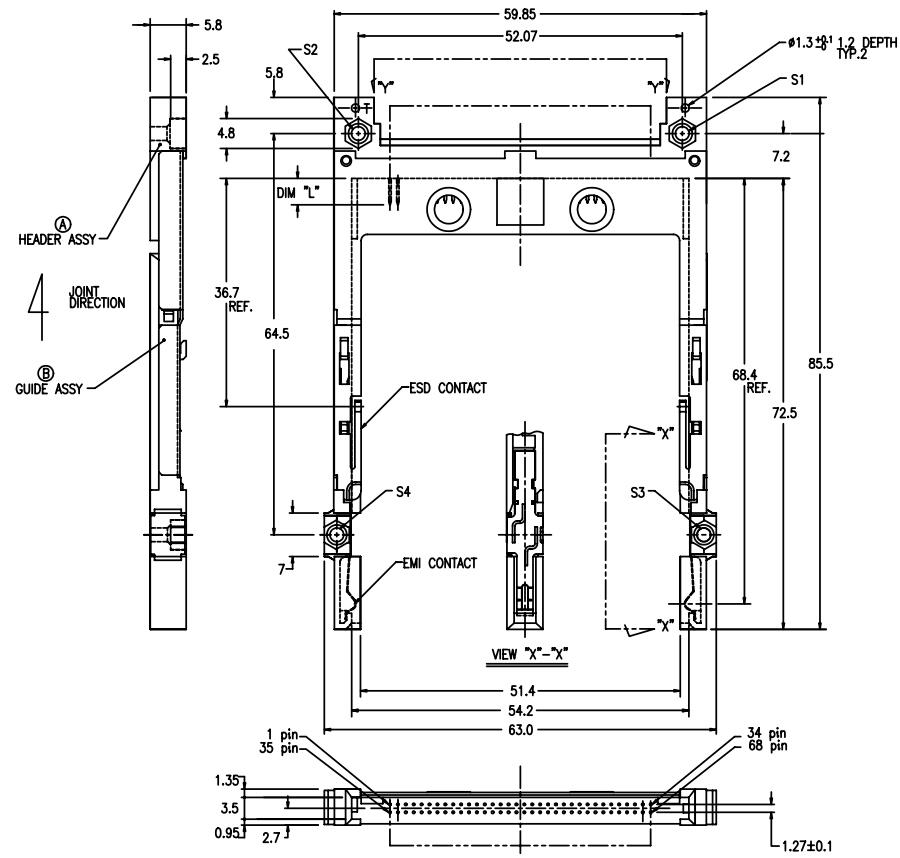
R/A (92789-000X)



SMT STAGGERED (92789-001X)



SMT IN LINE (92789-002X)

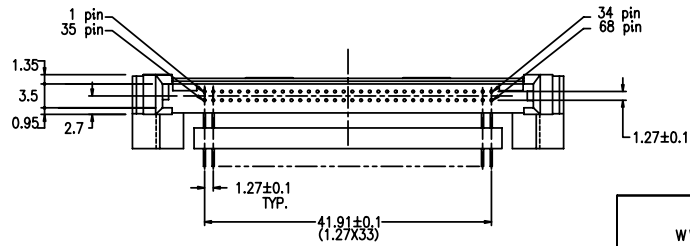
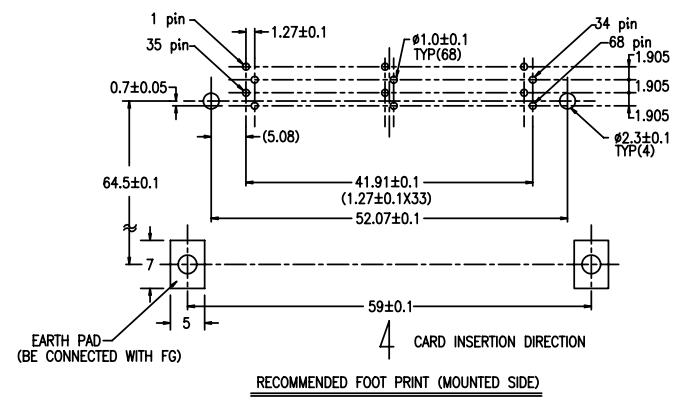
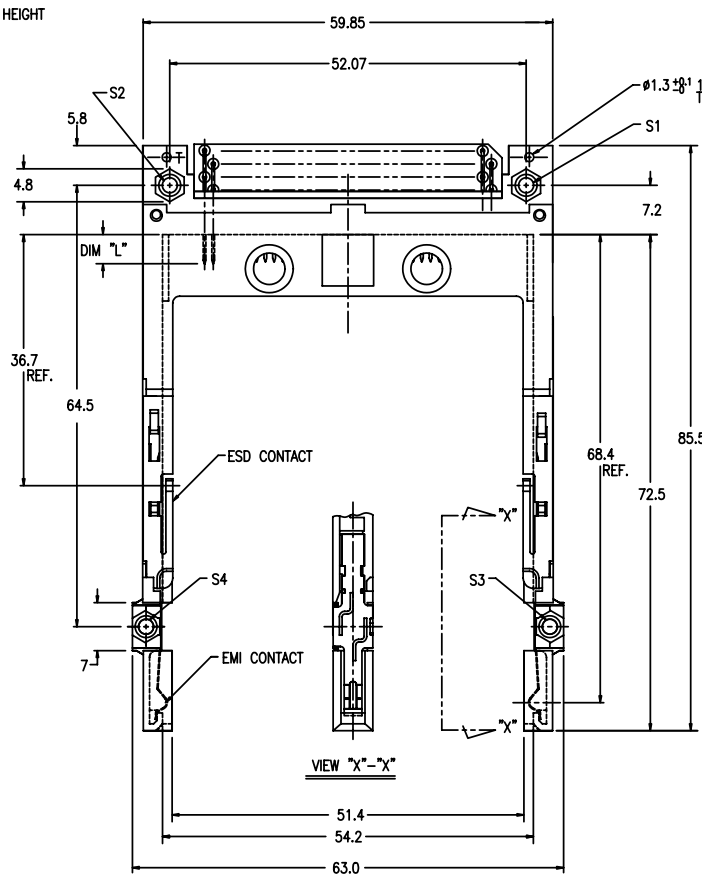
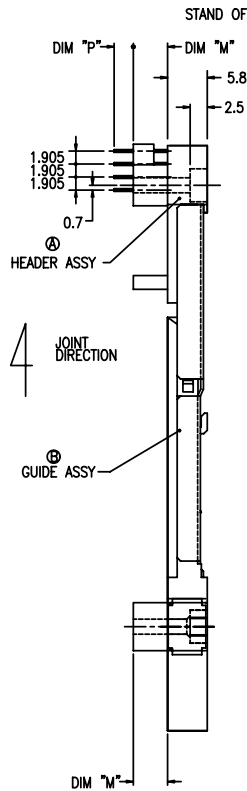


Copyright FCI.

rev	ecn no	dr	date
A	J30091	N.T	1/14/93
B	V9658	M.K	2/14/95
K	N05-0128	W.B J	05/19/05
L			

www.fciconnect.com		surface	tolerance std	projection	MM
		ANGULAR	LINEAR	size	
Dr	M. Kasagawa	4/11/05	0.X ±		
Eng	M. Kasagawa	4/11/05	0.XX ±		
Chr			0.XXX ±		ECN
Appr					Spec ref
Product family			Header PCMCIA SANF		
title		68P LONG HEADER TYPE I / II / III (WITH EMI CLIP)		eng no	92789
catalog no		CUSTOMER DRAWING			Rev. L
					sheet 3 of 6

PRODUCT NO.	
92789-020/020LF	△
92789-040/040LF	△
92789-040H/040HLF	△
92789-050/050LF	△
92789-050H/050HLF	△

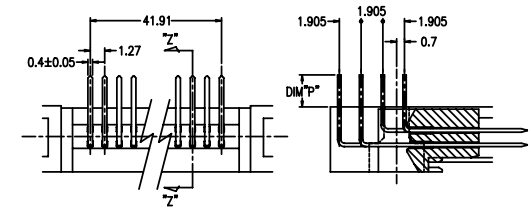
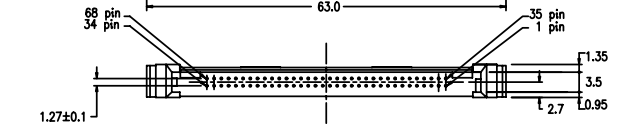
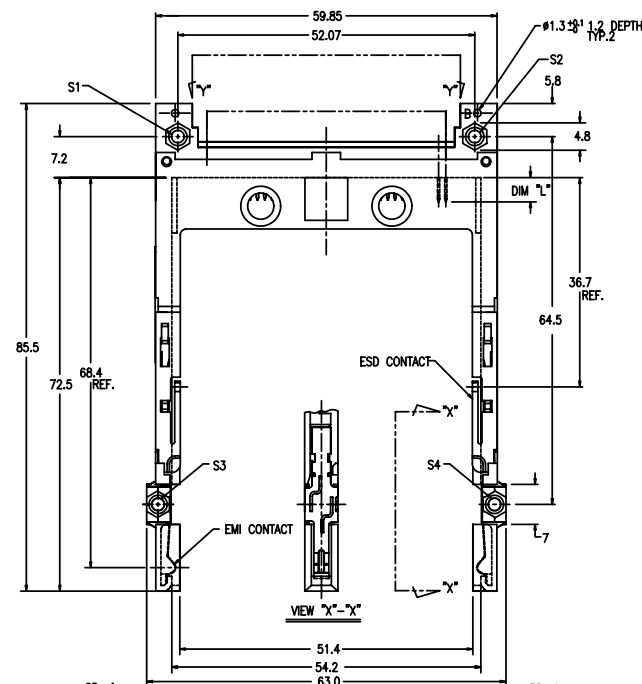
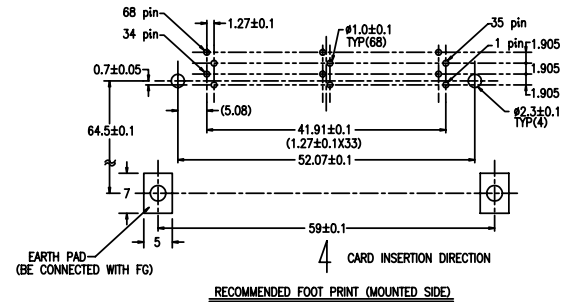


Copyright FCI.

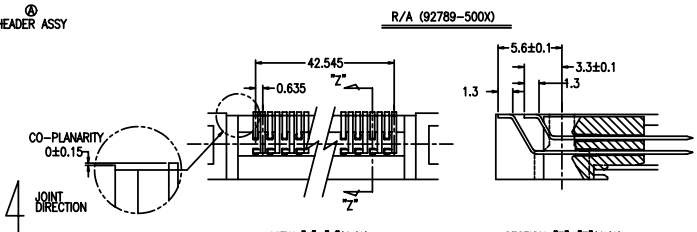
rev	ecn no	dr	date
A	J30091	N.T	1/14/93
B	V4648	M.K	2/14/95
C	V70154	K.S	8/8/97
D	V81446	S.K	11/13/98
E	J05-0198	M.H	4/7/05
K	N05-0128	W.B	05/19/05
L			

www.fciconnect.com		surface	tolerance std	projection	MM
		TOLERANCES UNLESS OTHERWISE SPECIFIED		⊕	←
Dr	M. Kasagawa 4/11/05	ANGULAR	0.X ±	size	Scale
Eng	M. Kasagawa 4/11/05	LINEAR	0.XX ±	ECN	
Chr		0 ±	0.XXX ±	Spec ref	
Appr		Product family Header PCMCIA SANF			
title		68P LONG HEADER TYPE I / II / III (WITH EMI CLIP)		Rev. L	
catalog no		CUSTOMER DRAWING		92789	
				sheet 4 of 6	

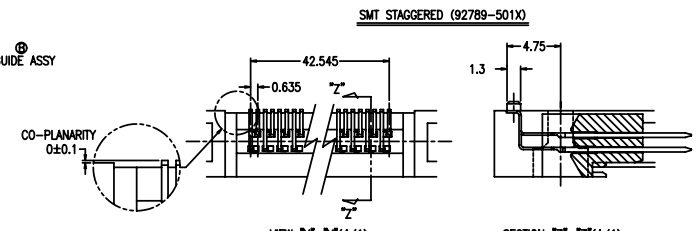
PRODUCT NO.
92789-500/500LF
92789-500H/500HL
92789-501
92789-501H
92789-502
92789-502H



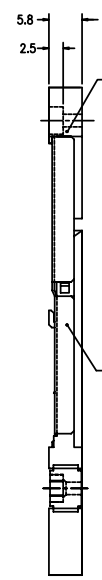
VIEW Y'-Y'(4/1) SECTION Z'-Z'(4/1)
R/A (92789-500X)



VIEW Y'-Y'(4/1) SECTION Z'-Z'(4/1)
SMT STAGGERED (92789-501X)



VIEW Y'-Y'(4/1) SECTION Z'-Z'(4/1)
SMT IN LINE (92789-502X)

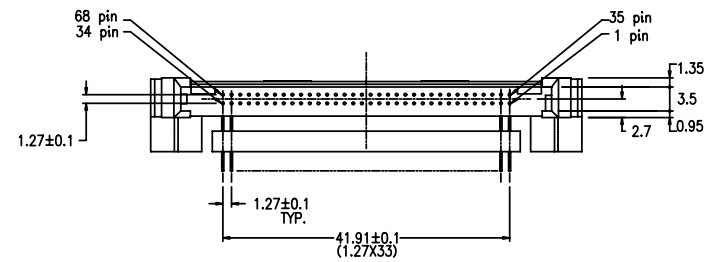
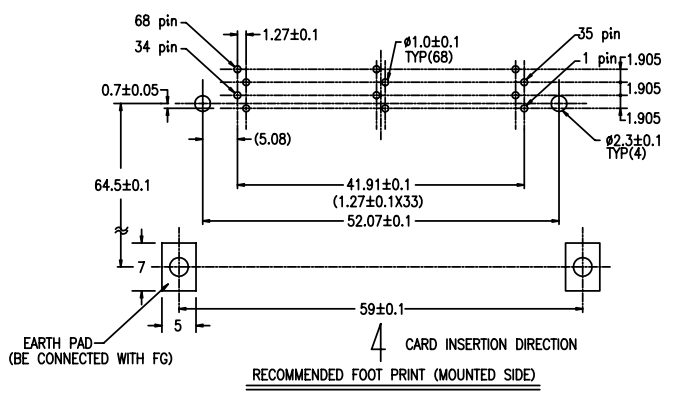
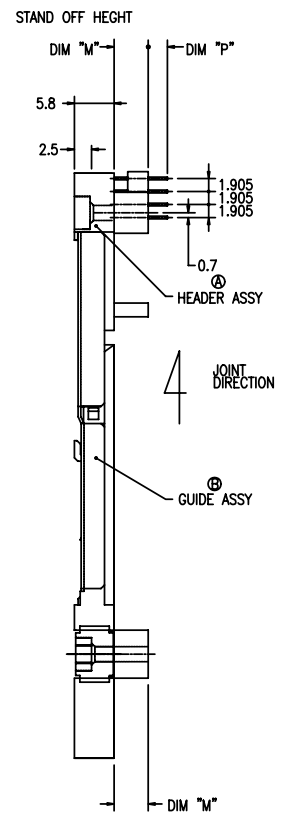
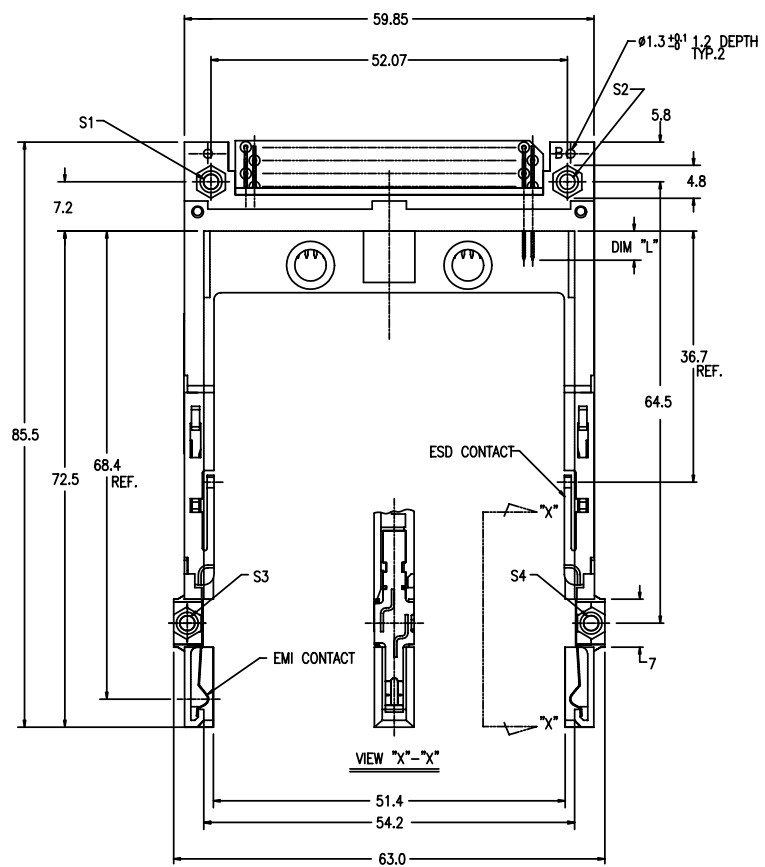


Copyright FCI.

rev	ecn no	dr	date
A	J30091	N.T	1/14/'93
B	J30110	N.T	4/6/'93
C	Y46648 J46648	M.K	2/14/'95
K	N05-0128	WB J	05/19/05
L			

www.fciconnect.com		surface	tolerance std	projection	MM
		ANGULAR	LINEAR	size	
Dr	M. Kasagawa 4/11/05	0.X ±			
Eng	M. Kasagawa 4/11/05	0.XX ±			
Chr		0° ±			ECN
Appr		0.XXX ±			Spec ref
		Product family Header PCMCIA SANF			
title		68P LONG HEADER TYPE I / II / III (WITH EMI CLIP)		Rev. L	
catalog no		CUSTOMER DRAWING		sheet 5 of 6	
drawing no		92789			

PRODUCT NO.	
92789-520/520LF	△
92789-540/540LF/540HLF	△
92789-550/550LF	△
92789-550H/550HLF	△



Copyright FCI.

rev	ecn no	dr	date
A	J30091	N.T	1/14/'93
B	J30091	M.K	2/14/'95
C	J03-0307	M.H	7/16/'03
K	N05-0128	W.B J	05/19/05
L	N07-0114	CM	05/14/07

www.fciconnect.com		surface	tolerance std	projection	MM
		TOLERANCES UNLESS OTHERWISE SPECIFIED			
Dr	M. Kasagawa	4/11/05	ANGULAR	size	Scale
Eng	M. Kasagawa	4/11/05	LINEAR	ECN	
Chr			0°±	0.XX±	
Appr			Product family Header PCMCIA SANF		Spec ref
title		68P LONG HEADER TYPE I / II / III (WITH EMI CLIP)		eng no	92789
catalog no		CUSTOMER DRAWING		Rev.	L
				sheet 6 of 6	